

Product data sheet

Characteristics

9070T100D14

Transformer, Type T, industrial control, 100 VA,
208 VAC primary / 24 VAC secondary, 1 phase,
50/60 Hz, 55 °C rise



Product availability: Stock - Normally stocked in distribution facility

Price*: 182.00 USD



Main

Product or component type	Industrial Control Transformer
Rated power in VA	100 VA
Range of product	T

Complementary

Phase	1 phase
Rated power in VA	100 VA
Temperature rise	55 °C
Electrical connection	Screw clamp terminals
Height	2.89 In (73.41 mm)
Width	3.38 In (85.85 mm)
Depth	3.34 In (84.84 mm)
Material	Copper winding
Product compatibility	FSC1

Environment

Product certifications	CSA file LR37055 guide 184-N-90 UL listed file E61239
NEMA degree of protection	Not rated (open device)
Insulation temperature	221 °F (105 °C)

Ordering and shipping details

Category	16200 - 9070 T (NOT TF) 50-200VA
Discount Schedule	CP8
GTIN	00785901905387
Nbr. of units in pkg.	1
Package weight(Lbs)	3.87 Lb(US) (1.755 kg)

Returnability	Yes
Country of origin	MX

Packing Units

Unit Type of Package 1	PCE
Package 1 Height	3.70 In (9.398 cm)
Package 1 width	4.10 In (10.414 cm)
Package 1 Length	4.30 In (10.922 cm)

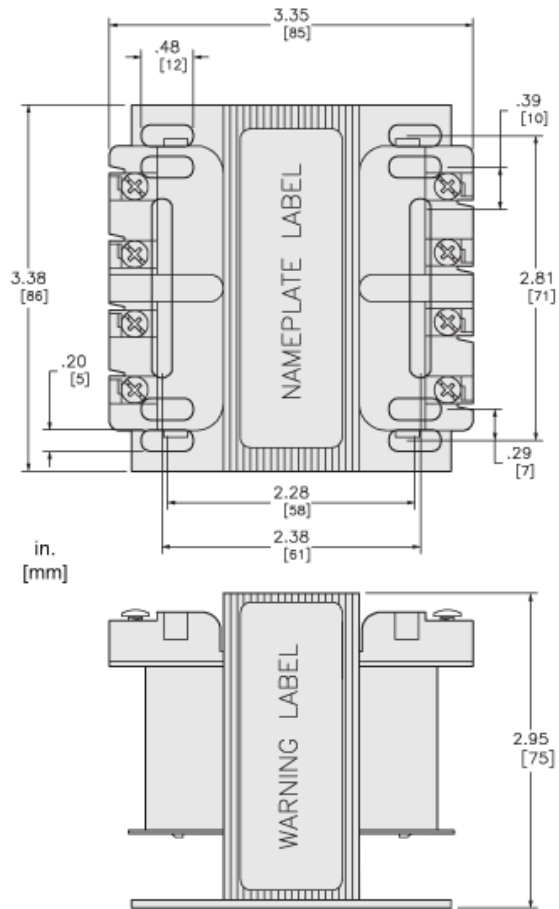
Offer Sustainability

Sustainable offer status	Green Premium product
California proposition 65	WARNING: This product can expose you to chemicals including: Phenyl glycidyl ether, which is known to the State of California to cause cancer and birth defects or other reproductive harm. For more information go to www.P65Warnings.ca.gov
REACH Regulation	REACH Declaration
EU RoHS Directive	Compliant EU RoHS Declaration
Mercury free	Yes
RoHS exemption information	Yes
China RoHS Regulation	China RoHS Declaration
Environmental Disclosure	Product Environmental Profile
PVC free	Yes

Contractual warranty

Warranty	10 Years
----------	----------

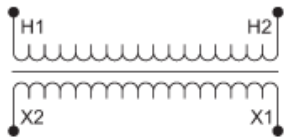
Approximate Dimensions



Connections and Wiring Diagrams

Voltage and Connection Options

Voltage Code	Voltages		Connections	
	Primary	Secondary	Primary	Secondary
D7	120	24	Connect to H1 and H2	Connect to X1 and X2
D14	208	24		
D16	600	24		
D25	277	24		
D88	380	24		
D112	230	24		



Product Life Status : **Commercialised**